

# HDL

## Heavy Duty Large Doors



TNR® offers rugged durability and high performance drive systems for large door sizes for:

#### **HARSH ENVIRONMENTS**

dirt, dust, rain, snow, temperature

#### **APPLICATIONS**

ideal for heavy industrial and commercial applications, sized for large equipment access

#### **DOOR IMPACT CONCERNS**

easily handles lift truck and heavy vehicle impacts

#### **HIGH WINDLOAD & PRESSURE DIFFERENTIAL**

caused by exterior wind & positive pressure work environments



***Tough 'n' Ready  
For Your Challenging  
Environments***

# HDL Heavy Duty Large

**Applications:** Heavy manufacturing, steel, pulp & paper, waste management, oil & gas and mining.

## TNR® leads the way with High Performance, Rugged Roll-up Doors for large openings

Big equipment needs big access openings. TNR® has the engineering and field experience that assures our custom built doors deliver peace of mind in your specific application.

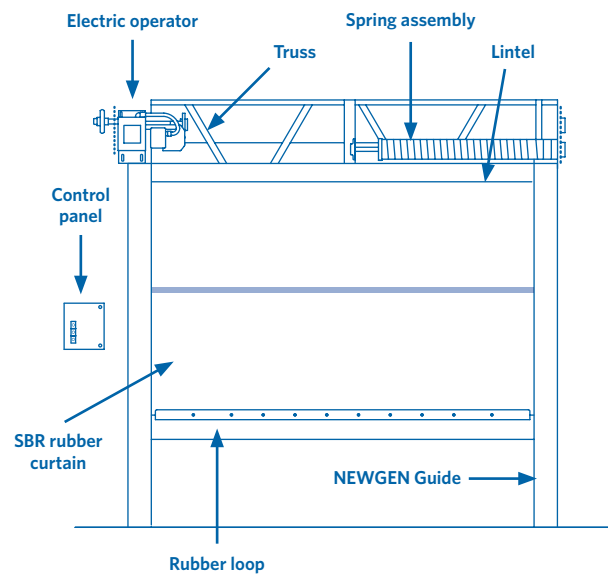
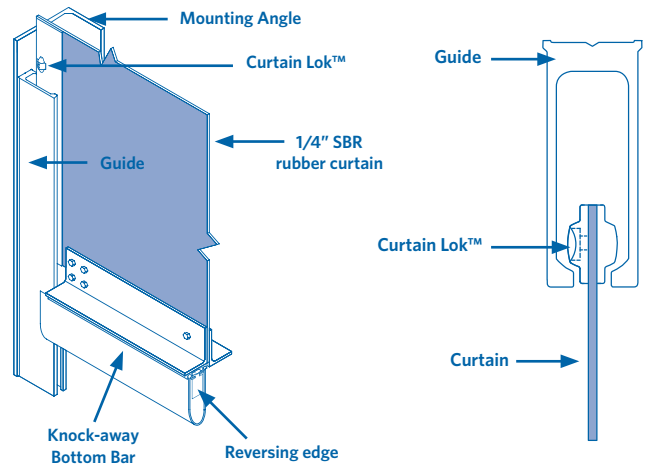
### TNR® Mechanical Features

- 1/4" Black SBR rubber with polyester core weave. Flexible and resistant to abusive environments in temperatures from -40°F to +180°F.
- Patented NEWGEN® guide and Curtain Lok™ system. Reliable and consistent door operation. No guide gap maintenance required.
- Bottom bar with rubber loop.
- Sleek profile with easy installation, reduced clearances & minimal maintenance.
- No hinges, cables, pulleys or tension springs.
- Guide mounted thru-beam photoelectric sensor.
- Options: colors, windows, hoods, reversing edge, traveling windbar and MSHA-rated self-extinguishing curtains.

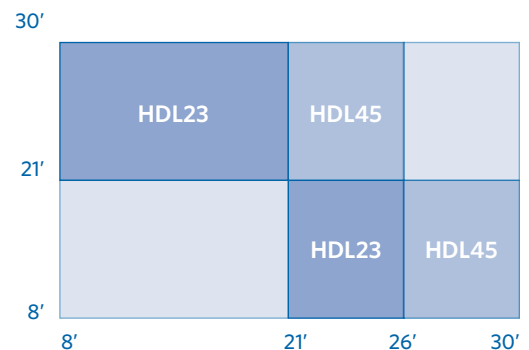
### TNR® Drive Features

- High Efficiency Helical Gear Head (HG) Operator with multi-function capacity PLC Control Panel.
- Options: access controls and specialty functions.

### NEWGEN® Guide and Curtain Lok™ system



Standard Features	HDL23	HDL45
<b>Opening Speed</b> —Up to (inches per second)	20	18
<b>Maximum Wind Resistance</b> —88 mph (20 psf)	●	●
<b>Type of Balancing</b> —Counterbalance spring assembly cycle rating (000)	50K	50K
<b>Reversing Edge</b> —Pressure sensitive wireless edge	●	●
<b>Control Panel</b> —PLC or Relay Logic	●	●
<b>Activation</b> —Remotes, pull cords, loop detectors	●	●
<b>Self Supporting Steel Frame</b> —Steel Mounting Angle	●	●
<b>Warranty</b> —Limited lifetime warranty on curtain and NEWGEN® Guide. Two years on all other parts and workmanship.	●	●



Toll-free 1-866-792-9968 Fax 1-705-735-9564 info@tnrdoors.com TNRdoors.com

